

JACKS

BETEX CJ series, with integrated pump and cylinder, low height jacks



Model: CJ series

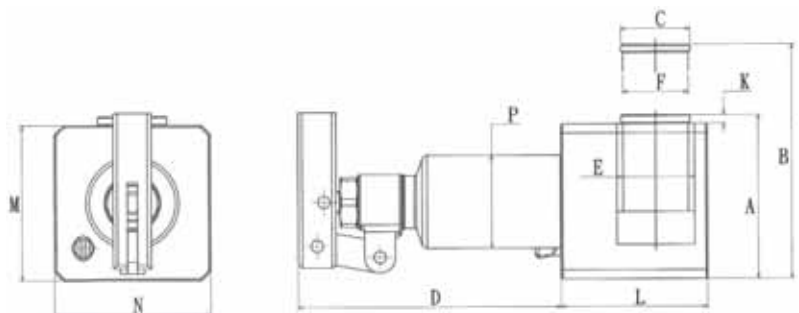
Spring-loaded

Available in : 10 or 20 ton.

Stroke : 41 mm.

Max. working pressure : 10,000 psi / 700 bar.

- Hard chromed piston.
- Ram inside roll-polished
- Perfect for jobs with limited space, like positioning machines, mounting tools or load tests.



CJ series

TIP! Use in combination with: Betex shims, page 66, 67

Type	Capacity ton	Stroke mm	Oil cap cm ³	A Height mm Retracted	B Height mm Extended	C Ø mm	D mm	E Ø mm	F Ø mm	H mm	K mm	L mm	M mm	N mm	P Ø mm	Weight Kg
CJ100	10	41	155	95	136	40	152.5	45	37.95	407.5	4.9	85	90	90	53.8	5.5
CJ200	20	41	250	95	136	40	152.5	65	50.8	407.5	4.9	110	90	110	69.5	8